



**Gilma**  
live in tomorrow



**BLACK+DECKER**



# CHIMNEYS & HOBS

*Clean Air Meets Culinary Freedom*

2024 Line-up



Customer Care : +91-63649 14202 | [cutomercare@stovekraft.com](mailto:cutomercare@stovekraft.com) | Follow us on:

# CHIMNEYS



## SCULPTED ELEGANCE

Breathtaking design meets unparalleled performance in our collection of premium kitchen chimneys. These architectural marvels don't just eliminate cooking odours - they transform your space into a culinary sanctuary. With sleek design, powerful suction, and whisper-quiet operation, our chimneys are the crown jewels of

## POWERFUL PERFORMANCE

modern kitchens. Choose from a range of stunning finishes to complement your decor and enjoy cleaner air, enhanced visibility, and a touch of luxury every time you cook. Discover the perfect blend of form and function that will make cooking comfortable & your kitchen the envy of every guest.





QUIET · FUNCTIONAL

# AURA



Max Airflow 1500 m<sup>3</sup>/h  
Ensures High Suction



Hand Gesture Motion  
Sensor for Ease of Use



Filter-Less Technology  
for Hassle-Free Usage



Feather Touch Control  
for a Premium Finish



Powder Coating & Glass  
Ensures No Rusting



Heat Auto-Clean with a  
Detachable Oil Collector for  
Easy Removal of Oil

The pinnacle of kitchen ventilation - the amalgamation of our best-selling T-shape with the modern innovation of incline design for unparalleled functionality and style. The Aura is masterpiece that ensures optimal smoke and odour extraction. Its elegant silhouette enhances any kitchen decor while the filter-less technology ensures hassle-free maintenance and superior performance. Experience tranquillity during cooking with Aura's whisper-quiet operation, making it the perfect companion for every culinary enthusiast seeking efficiency without compromise.

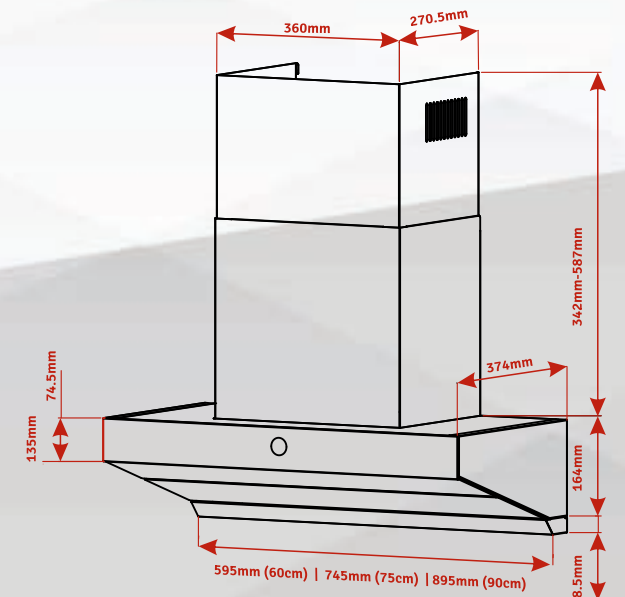
Premium Finish | Rust-Resistant Long-Life Coating | High-Air Suction | Low Noise

## 7 Year Warranty on Motor

60cm : SAP Code : 16497 | MRP : 27990

75cm : SAP Code : 16498 | MRP : 28990

90cm : SAP Code : 16499 | MRP : 29990





STYLE · PERFORMANCE

## XTREME DLX



Max Airflow 1500 m<sup>3</sup>/h  
Ensures High Suction



Hand Gesture Motion  
Sensor for Ease of Use



Filter-Less Technology  
for Hassle-Free Usage



Feather Touch Control  
for a Premium Finish



Powder Coating & Glass  
Ensures No Rusting



Heat Auto-Clean with a  
Detachable Oil Collector for  
Easy Removal of Oil

The inclined design of Xtreme DLX helps in capturing smoke and fumes more effectively, as it directs the airflow towards the outlet more directly, reducing the chances of smoke lingering in the kitchen. The inclined position makes the Xtreme DLX cover a larger area of the cooking surface - particularly beneficial in kitchens with wide cooktops or where the cooking area is spread out.

Visually appealing, the Xtreme DLX adds a modern and sleek look to the kitchen, while making it easier to access and clean the chimney filters and surfaces.

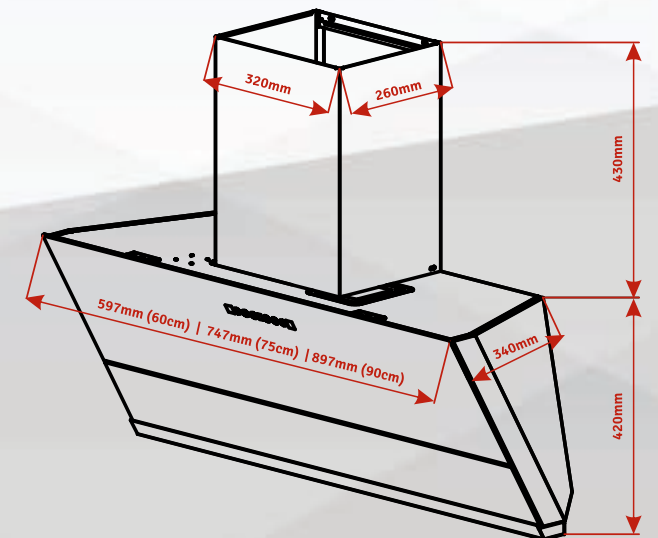
New-Age Design | Adds a modern look to the kitchen | High-Air Suction | Low Noise Level

### 7 Year Warranty on Motor

60cm : SAP Code : 16336 | MRP : 26990

75cm : SAP Code : 16337 | MRP : 27990

90cm : SAP Code : 16338 | MRP : 28990







COMFORT · ELEGANCE

# ATMOS



-  Max Airflow 1500 m<sup>3</sup>/h  
Ensures High Suction
-  Hand Gesture Motion  
Sensor for Ease of Use
-  Filter-Less Technology  
for Hassle-Free Usage
-  Feather Touch Control  
for a Premium Finish
-  Powder Coating & Glass  
Ensures No Rusting
-  Heat Auto-Clean with a  
Detachable Oil Collector for  
Easy Removal of Oil

The auto clean function of the Atmos revolutionizes the maintenance and efficiency of kitchen ventilation systems. Utilizing advanced thermal technology, this feature automates the cleaning process by collecting accumulated grease and oil deposition in a separate container eliminating the need for frequent manual cleaning. By preventing grease buildup, the Atmos ensures consistent airflow and optimal suction power, thereby enhancing the chimney's performance in extracting smoke, odours, and airborne grease effectively - this not only prolongs the lifespan of the chimney but also reduces maintenance efforts and costs over time, making it the preferred choice for busy households.

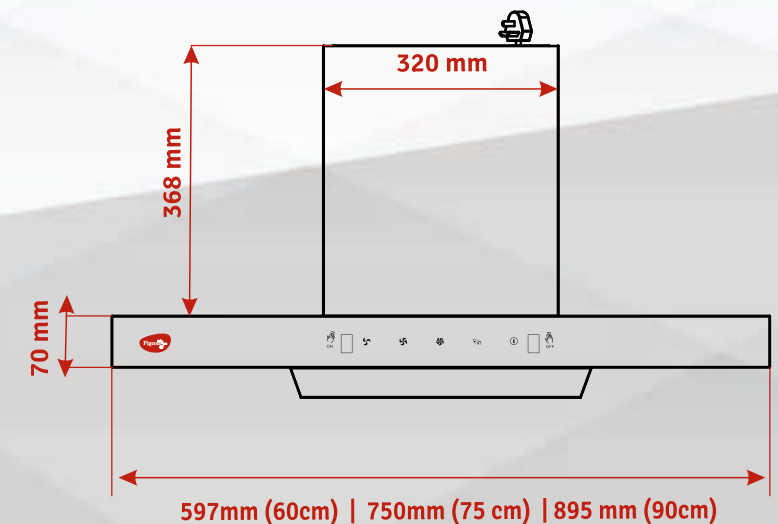
Elegant Design | Rust Resistant Long-Life Coating | High-Air Suction | Low Noise

### 7 Year Warranty on Motor

60cm : SAP Code : 15021 | MRP : 24990

75cm : SAP Code : 15022 | MRP : 26990

90cm : SAP Code : 15023 | MRP : 28990





# BLACK DIAMOND



Low Noise level for Convenience



Hand Gesture Motion Sensor for Ease of Use



Filterless Technology Control Adds a Premium finish



Max Airflow 1500 m3/h Ensures High Suction



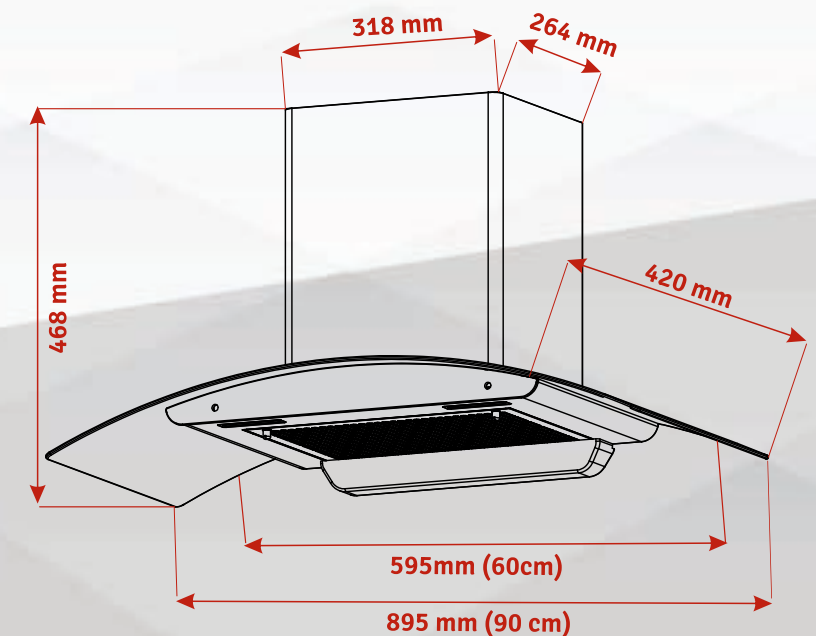
Powder Coating & Glass Ensures No Rusting



Heat Auto-Clean for Easy Oil Removal

The curved shape of Black Diamond allows for a wider coverage area over the cooktop helping it capture smoke, fumes, and odours more effectively from a larger cooking surface, ensuring cleaner air in the kitchen. Made from toughened glass, which is resistant to heat and mechanical stress, the Black Diamond is known for its durability and long-lasting performance - combines functionality with aesthetic appeal, making it a popular choice for homeowners looking to improve air quality and enhance the visual appeal of their kitchen space.

Space Saver Slim Design | Oil Drip Tray | High-Air Suction | Low Noise



**7 Year Warranty on Motor**

60cm : SAP Code : 15659 | MRP : 20900

90cm : SAP Code : 15660 | MRP : 22990

POWERFUL · CONTEMPORARY





# NEBULA PLUS



Low Noise level for Convenience



Baffle Filter Ensures Easy Cleaning



Push button for Ease of Use



Max Airflow 1050 m<sup>3</sup>/h Ensures Optimum Suction



Energy-Efficient LED Lights for Convenience



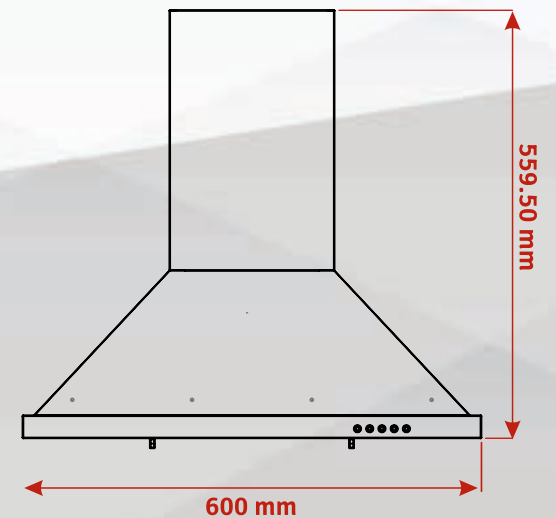
Stainless steel Black Powder Body for High Durability

Our economy model kitchen chimney Nebula Plus incorporates state-of-the-art baffle filter technology to deliver efficient and reliable ventilation solutions for modern kitchens. Engineered for optimal grease and smoke extraction, the baffle filters ensure superior performance by effectively trapping oil and grease particles while allowing unhindered airflow. This not only enhances air quality by reducing cooking odours and smoke but also minimizes the risk of grease build-up within the chimney itself. The Nebula Plus is designed for easy maintenance, and effortless cleaning. With a focus on affordability and functionality, this chimney model is ideal for homeowners seeking high-performance ventilation solutions that combine reliability with cost-effectiveness, ensuring a cleaner and healthier kitchen environment.

Timeless Slim Design | Baffle Filter Technology | High-Air Suction

**7 Year Warranty on Motor**

60cm : SAP Code : 15534 | MRP : 14590



RELIABLE · EFFICIENT

# HOBBS



## IGNITE YOUR CULINARY PASSION

Discover the perfect fusion of style and performance with our exquisite range of high-quality hobs. These stunning cooktops are designed to inspire your inner chef while elevating your kitchen's aesthetic. Featuring precision-engineered burners, sleek profiles, and durable materials, our hobs offer unparalleled control and efficiency.

Whether you're simmering delicate sauces or searing vegetables to perfection, these elegant powerhouses deliver professional-grade results. Available in an array of sizes and finishes to suit every kitchen and cooking style. Transform your culinary space into a showcase of sophistication and functionality.



# SLENDER - 4 BURNER XL



8MM Thick Toughened Black Glass for Durability & Elegance



Auto-Ignition for Hassle-Free Cooking



High Thermal Efficiency for Optimal Fuel Usage



Stainless Steel Drip Tray for Easy Cleaning



Matte Finish Cast Iron Pan Supports Adds Durability & Stability



Jumbo Burner for Bigger Vessels



Premium & Smooth Operating Metal Knobs Adds Elegance & Ease of Use



5-Year Warranty on Toughened Glass for Quality Assurance

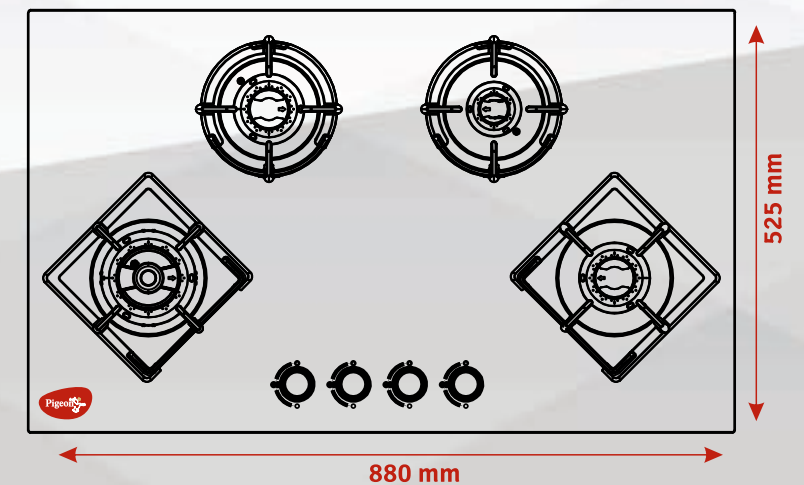
Ultra Slim Design | Auto-Ignition | Engineered with robust 8mm thick Toughened Black Glass | Jumbo Burner Metal Knobs | Cast-Iron Pan Supports with Flame-Guards

High Thermal Efficiency Internal Engine

**5 Year Warranty**

SAP Code : 16109 | MRP : 31995

Cutting Size : 82.8cm X 47.8cm



PRECISION · POWER · PERFECTION



COMPACT DIMENSIONS  
 MAXIMUM PERFORMANCE

## SLENDER - 4 BURNER



8MM Thick Toughened  
 Black Glass for  
 Durability & Elegance



Auto-Ignition for  
 Hassle-Free Cooking



High Thermal Efficiency  
 for Optimal Fuel Usage



Stainless Steel Drip  
 Tray for Easy Cleaning



Matte Finish Cast Iron Pan  
 Supports Adds  
 Durability & Stability



Jumbo Burner for  
 Bigger Vessels



Premium & Smooth  
 Operating Metal Knobs Adds  
 Elegance & Ease of Use



5-Year Warranty on  
 Toughened Glass  
 for Quality Assurance

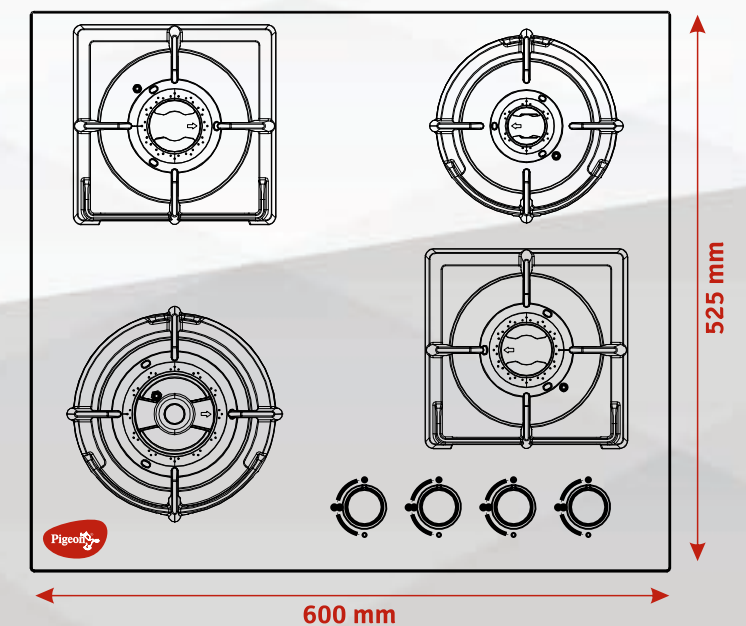
Ultra Slim Design | Auto-Ignition | Engineered with robust 8mm thick Toughened Black Glass | Jumbo Burner  
 Metal Knobs | Cast-Iron Pan Supports with Flame-Guards

High Thermal Efficiency Internal Engine

**5 Year Warranty**

SAP Code : 16108 | MRP : 29995

Cutting Size : 55.5cm X 47.5cm







## SLENDER - 3 BURNER



8MM Thick Toughened Black Glass for Durability & Elegance



Auto-Ignition for Hassle-Free Cooking



High Thermal Efficiency for Optimal Fuel Usage



Stainless Steel Drip Tray for Easy Cleaning



Matte Finish Cast Iron Pan Supports Adds Durability & Stability



Jumbo Burner for Bigger Vessels



Premium & Smooth Operating Metal Knobs Adds Elegance & Ease of Use



5-Year Warranty on Toughened Glass for Quality Assurance

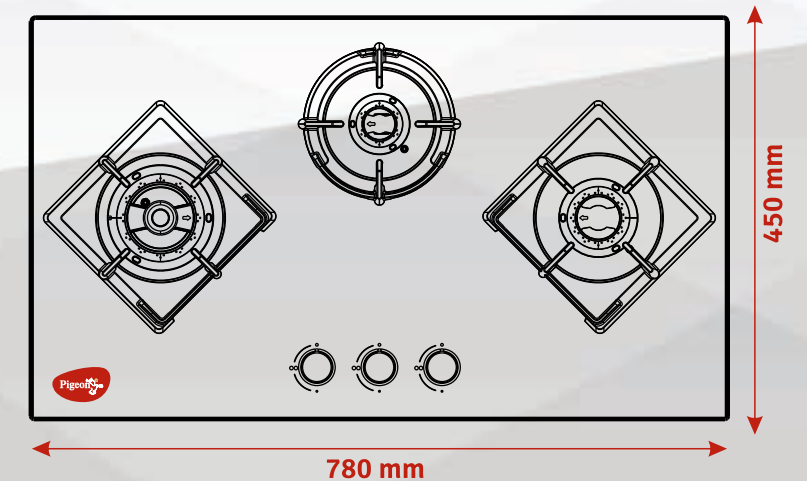
Ultra Slim Design | Auto-Ignition | Engineered with robust 8mm thick Toughened Black Glass | Jumbo Burner | Metal Knobs | Cast-Iron Pan Supports with Flame-Guards

High Thermal Efficiency Internal Engine

**5 Year Warranty**

SAP Code : 16107 | MRP : 24495

Cutting Size : 68.5cm X 40.5cm



SPACIOUS  
SIZED FOR CONVENIENT COOKING



# LINEA - XL



6MM Thick Toughened Black Glass for Durability & Elegance



Auto-Ignition for Hassle-Free Cooking



High Thermal Efficiency for Optimal Fuel Usage



Anti-Corrosive for Higher Durability



Stainless Steel Drip Tray for Easy Cleaning



Matte Finish Cast Iron Pan Supports Adds Durability & Stability



Jumbo Burner for Bigger Vessels



Premium & Smooth Operating Metal Knobs Adds Elegance & Ease of Use



Ultra Slim Design



5-Year Warranty on Toughened Glass for Quality Assurance

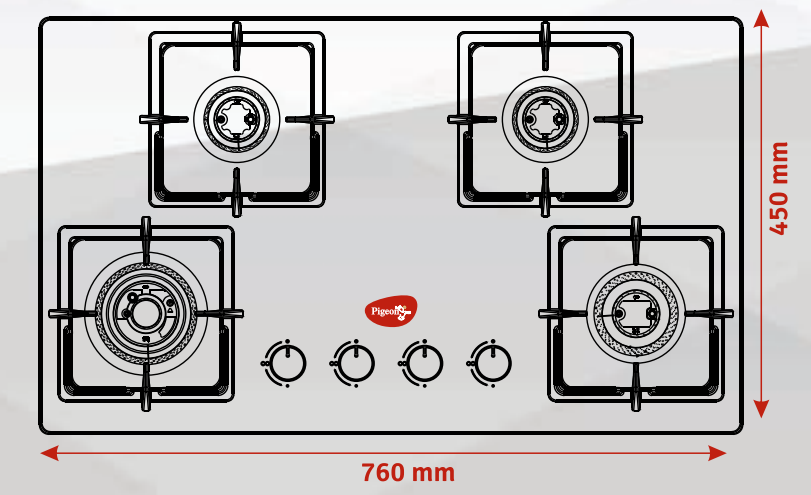
## No Hassles of Stone Cutting | Your Portable Hob Goes Wherever You Go

3 cm Ultra Slim Counter-Top Hob | Auto-Ignition | Metal Body with 6mm thick Toughened Black Glass  
 Jumbo Burner | Metal Knobs | Cast-Iron Pan Supports with Flame-Guards

High Thermal Efficiency Internal Engine

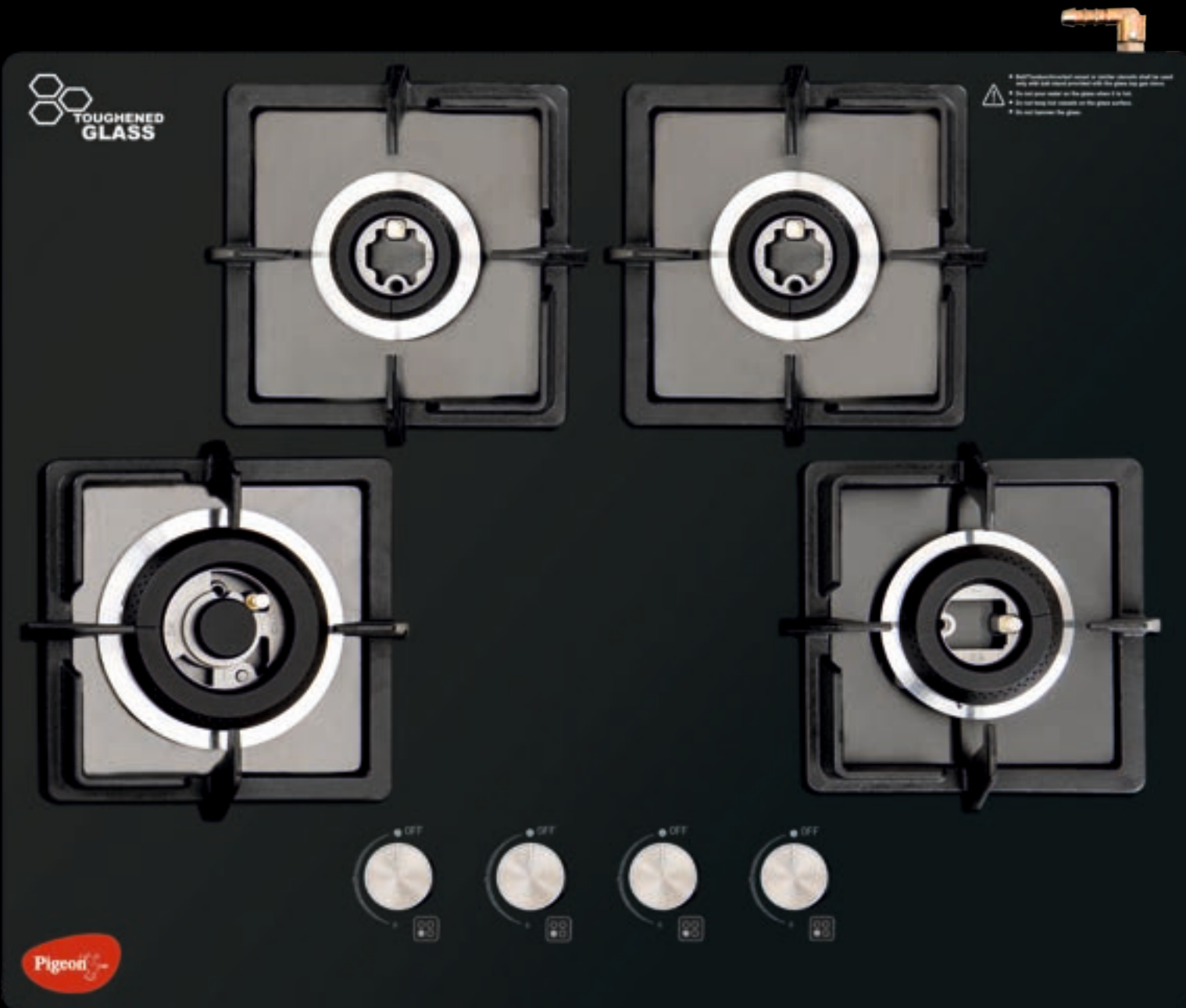
### 5 Year Warranty

SAP Code : 16112 | MRP : 30995



ULTRA-LOW HEIGHT  
 EXTRA-WIDE PORTABLE WONDER





SPACE SAVING MASTERY  
PROFESSIONAL PERFORMANCE

## LINEA - 4 BURNER



6MM Thick Toughened Black Glass for Durability & Elegance



Auto-Ignition for Hassle-Free Cooking



High Thermal Efficiency for Optimal Fuel Usage



Anti-Corrosive for Higher Durability



Stainless Steel Drip Tray for Easy Cleaning



Matte Finish Cast Iron Pan Supports Adds Durability & Stability



Jumbo Burner for Bigger Vessels



Premium & Smooth Operating Metal Knobs Adds Elegance & Ease of Use



Ultra Slim Design



5-Year Warranty on Toughened Glass for Quality Assurance

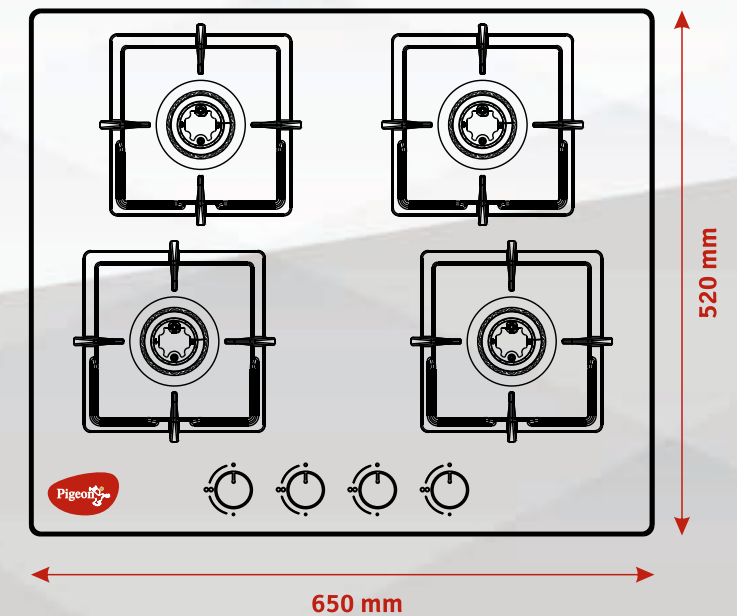
No Hassles of Stone Cutting | Your Portable Hob Goes Wherever You Go

3 cm Ultra Slim Counter-Top Hob | Auto-Ignition | Metal Body with 6mm thick Toughened Black Glass | Jumbo Burner | Metal Knobs | Cast-Iron Pan Supports with Flame-Guards

High Thermal Efficiency Internal Engine

5 Year Warranty

SAP Code : 16111 | MRP : 28995





PLUS-SIZE PERFORMANCE  
EXTRA-LARGE CONVENIENCE

## LINEA - 3 BURNER



6MM Thick Toughened  
Black Glass for  
Durability & Elegance



Auto-Ignition for  
Hassle-Free Cooking



High Thermal Efficiency  
for Optimal Fuel Usage



Anti-Corrosive  
for Higher Durability



Stainless Steel Drip  
Tray for Easy Cleaning



Matte Finish Cast Iron Pan  
Supports Adds  
Durability & Stability



Jumbo Burner for  
Bigger Vessels



Premium & Smooth  
Operating Metal Knobs Adds  
Elegance & Ease of Use



Ultra Slim  
Design



5-Year Warranty on  
Toughened Glass  
for Quality Assurance

No Hassles of Stone Cutting | Your Portable Hob Goes Wherever You Go

3 cm Ultra Slim Counter-Top Hob | Auto-Ignition | Metal Body with 6mm thick Toughened Black Glass | Jumbo Burner | Metal Knobs | Cast-Iron Pan Supports with Flame-Guards

High Thermal Efficiency Internal Engine

**5 Year Warranty**

SAP Code : 16110 | MRP : 24495

